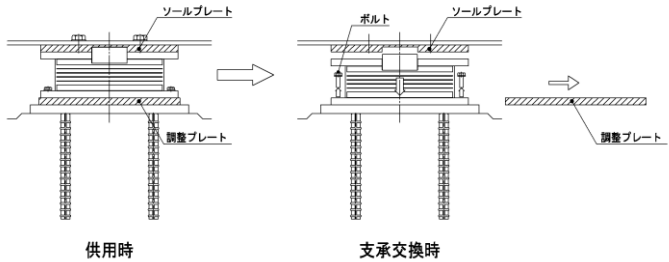
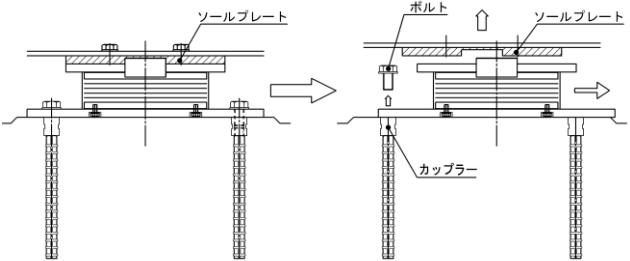
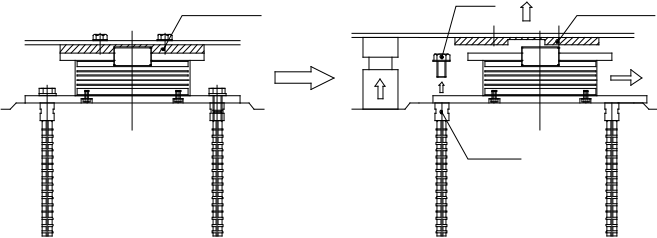
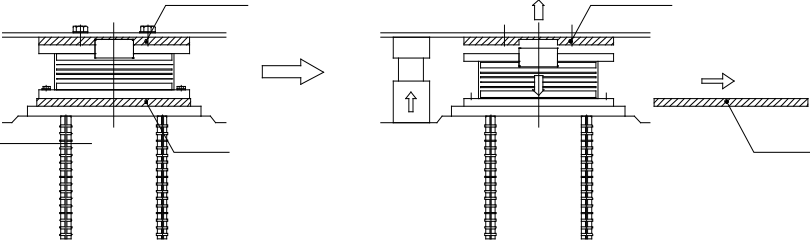


北海道における鋼道路橋の設計および施工指針 第1編 設計・施工編 平成24年6月 正誤表

ページ など	誤	正	備考	摘要																																																																																																																						
P6-8 表-解 6.2.2	<p>パラメータを下限値で記載していたので中央値へ戻す</p> <table border="1"> <thead> <tr> <th rowspan="2">特性</th> <th rowspan="2">剛性</th> <th rowspan="2">支承種類</th> <th rowspan="2">関係式 (対数式)</th> <th colspan="5">支承温度 (°C)</th> </tr> <tr> <th>-30</th> <th>-20</th> <th>-10</th> <th>+23</th> <th>+40</th> </tr> </thead> <tbody> <tr> <td rowspan="3">等価剛性比</td> <td rowspan="3">G10</td> <td>RB</td> <td>$\alpha_{EB} = -0.297524 \times \ln(x+40) + 2.232680$</td> <td>1.548</td> <td>1.341</td> <td>1.221</td> <td>1.000</td> <td>0.929</td> </tr> <tr> <td>LRB</td> <td>$\alpha_{EB} = -0.263158 \times \ln(x+40) + 2.090095$</td> <td>1.484</td> <td>1.302</td> <td>1.195</td> <td>1.000</td> <td>0.937</td> </tr> <tr> <td>HDR</td> <td>$\alpha_{EB} = -0.590572 \times \ln(x+40) + 3.446817$</td> <td>2.087</td> <td>1.678</td> <td>1.438</td> <td>1.000</td> <td>0.859</td> </tr> <tr> <td rowspan="3">G12</td> <td>RB</td> <td>$\alpha_{EB} = -0.285133 \times \ln(x+40) + 2.181344$</td> <td>1.525</td> <td>1.327</td> <td>1.212</td> <td>1.000</td> <td>0.932</td> </tr> <tr> <td>LRB</td> <td>$\alpha_{EB} = -0.323265 \times \ln(x+40) + 2.339053$</td> <td>1.595</td> <td>1.371</td> <td>1.240</td> <td>1.000</td> <td>0.922</td> </tr> <tr> <td>HDR</td> <td>$\alpha_{EB} = -0.631025 \times \ln(x+40) + 3.614421$</td> <td>2.161</td> <td>1.724</td> <td>1.468</td> <td>1.000</td> <td>0.849</td> </tr> </tbody> </table>	特性	剛性	支承種類	関係式 (対数式)	支承温度 (°C)					-30	-20	-10	+23	+40	等価剛性比	G10	RB	$\alpha_{EB} = -0.297524 \times \ln(x+40) + 2.232680$	1.548	1.341	1.221	1.000	0.929	LRB	$\alpha_{EB} = -0.263158 \times \ln(x+40) + 2.090095$	1.484	1.302	1.195	1.000	0.937	HDR	$\alpha_{EB} = -0.590572 \times \ln(x+40) + 3.446817$	2.087	1.678	1.438	1.000	0.859	G12	RB	$\alpha_{EB} = -0.285133 \times \ln(x+40) + 2.181344$	1.525	1.327	1.212	1.000	0.932	LRB	$\alpha_{EB} = -0.323265 \times \ln(x+40) + 2.339053$	1.595	1.371	1.240	1.000	0.922	HDR	$\alpha_{EB} = -0.631025 \times \ln(x+40) + 3.614421$	2.161	1.724	1.468	1.000	0.849	<table border="1"> <thead> <tr> <th rowspan="2">特性</th> <th rowspan="2">剛性</th> <th rowspan="2">支承種類</th> <th rowspan="2">関係式 (対数式)</th> <th colspan="5">支承温度 (°C)</th> </tr> <tr> <th>-30</th> <th>-20</th> <th>-10</th> <th>+23</th> <th>+40</th> </tr> </thead> <tbody> <tr> <td rowspan="3">等価剛性比</td> <td rowspan="3">G10</td> <td>RB</td> <td>$\alpha_{EB} = -0.224237 \times \ln(x+40) + 1.929044$</td> <td>1.413</td> <td>1.257</td> <td>1.166</td> <td>1.000</td> <td>0.946</td> </tr> <tr> <td>LRB</td> <td>$\alpha_{EB} = -0.239496 \times \ln(x+40) + 1.992263$</td> <td>1.441</td> <td>1.275</td> <td>1.178</td> <td>1.000</td> <td>0.943</td> </tr> <tr> <td>HDR</td> <td>$\alpha_{EB} = -0.546871 \times \ln(x+40) + 3.265761$</td> <td>2.007</td> <td>1.627</td> <td>1.406</td> <td>1.000</td> <td>0.869</td> </tr> <tr> <td rowspan="3">G12</td> <td>RB</td> <td>$\alpha_{EB} = -0.241795 \times \ln(x+40) + 2.001791$</td> <td>1.445</td> <td>1.277</td> <td>1.179</td> <td>1.000</td> <td>0.942</td> </tr> <tr> <td>LRB</td> <td>$\alpha_{EB} = -0.261951 \times \ln(x+40) + 2.085297$</td> <td>1.482</td> <td>1.301</td> <td>1.194</td> <td>1.000</td> <td>0.937</td> </tr> <tr> <td>HDR</td> <td>$\alpha_{EB} = -0.566007 \times \ln(x+40) + 3.345045$</td> <td>2.042</td> <td>1.649</td> <td>1.420</td> <td>1.000</td> <td>0.865</td> </tr> </tbody> </table>	特性	剛性	支承種類	関係式 (対数式)	支承温度 (°C)					-30	-20	-10	+23	+40	等価剛性比	G10	RB	$\alpha_{EB} = -0.224237 \times \ln(x+40) + 1.929044$	1.413	1.257	1.166	1.000	0.946	LRB	$\alpha_{EB} = -0.239496 \times \ln(x+40) + 1.992263$	1.441	1.275	1.178	1.000	0.943	HDR	$\alpha_{EB} = -0.546871 \times \ln(x+40) + 3.265761$	2.007	1.627	1.406	1.000	0.869	G12	RB	$\alpha_{EB} = -0.241795 \times \ln(x+40) + 2.001791$	1.445	1.277	1.179	1.000	0.942	LRB	$\alpha_{EB} = -0.261951 \times \ln(x+40) + 2.085297$	1.482	1.301	1.194	1.000	0.937	HDR	$\alpha_{EB} = -0.566007 \times \ln(x+40) + 3.345045$	2.042	1.649	1.420	1.000	0.865		
特性	剛性					支承種類	関係式 (対数式)	支承温度 (°C)																																																																																																																		
		-30	-20	-10	+23			+40																																																																																																																		
等価剛性比	G10	RB	$\alpha_{EB} = -0.297524 \times \ln(x+40) + 2.232680$	1.548	1.341	1.221	1.000	0.929																																																																																																																		
		LRB	$\alpha_{EB} = -0.263158 \times \ln(x+40) + 2.090095$	1.484	1.302	1.195	1.000	0.937																																																																																																																		
		HDR	$\alpha_{EB} = -0.590572 \times \ln(x+40) + 3.446817$	2.087	1.678	1.438	1.000	0.859																																																																																																																		
G12	RB	$\alpha_{EB} = -0.285133 \times \ln(x+40) + 2.181344$	1.525	1.327	1.212	1.000	0.932																																																																																																																			
	LRB	$\alpha_{EB} = -0.323265 \times \ln(x+40) + 2.339053$	1.595	1.371	1.240	1.000	0.922																																																																																																																			
	HDR	$\alpha_{EB} = -0.631025 \times \ln(x+40) + 3.614421$	2.161	1.724	1.468	1.000	0.849																																																																																																																			
特性	剛性	支承種類	関係式 (対数式)	支承温度 (°C)																																																																																																																						
				-30	-20	-10	+23	+40																																																																																																																		
等価剛性比	G10	RB	$\alpha_{EB} = -0.224237 \times \ln(x+40) + 1.929044$	1.413	1.257	1.166	1.000	0.946																																																																																																																		
		LRB	$\alpha_{EB} = -0.239496 \times \ln(x+40) + 1.992263$	1.441	1.275	1.178	1.000	0.943																																																																																																																		
		HDR	$\alpha_{EB} = -0.546871 \times \ln(x+40) + 3.265761$	2.007	1.627	1.406	1.000	0.869																																																																																																																		
G12	RB	$\alpha_{EB} = -0.241795 \times \ln(x+40) + 2.001791$	1.445	1.277	1.179	1.000	0.942																																																																																																																			
	LRB	$\alpha_{EB} = -0.261951 \times \ln(x+40) + 2.085297$	1.482	1.301	1.194	1.000	0.937																																																																																																																			
	HDR	$\alpha_{EB} = -0.566007 \times \ln(x+40) + 3.345045$	2.042	1.649	1.420	1.000	0.865																																																																																																																			
P6-9 表-解 6.2.3	<p>パラメータを下限値で記載していたので中央値へ戻す</p> <table border="1"> <thead> <tr> <th rowspan="2">特性</th> <th rowspan="2">剛性</th> <th rowspan="2">支承種類</th> <th rowspan="2">関係式 (対数式)</th> <th colspan="5">支承温度 (°C)</th> </tr> <tr> <th>-30</th> <th>-20</th> <th>-10</th> <th>+23</th> <th>+40</th> </tr> </thead> <tbody> <tr> <td rowspan="3">等価減衰定数比</td> <td rowspan="3">G10</td> <td>RB</td> <td>$\alpha_{EB} = -0.731701 \times \ln(x+40) + 4.031535$</td> <td>2.347</td> <td>1.840</td> <td>1.543</td> <td>1.000</td> <td>0.825</td> </tr> <tr> <td>LRB</td> <td>$\alpha_{EB} = -0.121779 \times \ln(x+40) + 1.504504$</td> <td>1.224</td> <td>1.140</td> <td>1.090</td> <td>1.000</td> <td>0.971</td> </tr> <tr> <td>HDR</td> <td>$\alpha_{EB} = -0.092041 \times \ln(x+40) + 1.381339$</td> <td>1.169</td> <td>1.106</td> <td>1.068</td> <td>1.000</td> <td>0.978</td> </tr> <tr> <td rowspan="3">G12</td> <td>RB</td> <td>$\alpha_{EB} = -0.600709 \times \ln(x+40) + 3.488820$</td> <td>2.106</td> <td>1.689</td> <td>1.446</td> <td>1.000</td> <td>0.856</td> </tr> <tr> <td>LRB</td> <td>$\alpha_{EB} = -0.082449 \times \ln(x+40) + 1.341574$</td> <td>1.152</td> <td>1.095</td> <td>1.061</td> <td>1.000</td> <td>0.980</td> </tr> <tr> <td>HDR</td> <td>$\alpha_{EB} = -0.104908 \times \ln(x+40) + 1.434648$</td> <td>1.193</td> <td>1.120</td> <td>1.078</td> <td>1.000</td> <td>0.975</td> </tr> </tbody> </table>	特性	剛性	支承種類	関係式 (対数式)	支承温度 (°C)					-30	-20	-10	+23	+40	等価減衰定数比	G10	RB	$\alpha_{EB} = -0.731701 \times \ln(x+40) + 4.031535$	2.347	1.840	1.543	1.000	0.825	LRB	$\alpha_{EB} = -0.121779 \times \ln(x+40) + 1.504504$	1.224	1.140	1.090	1.000	0.971	HDR	$\alpha_{EB} = -0.092041 \times \ln(x+40) + 1.381339$	1.169	1.106	1.068	1.000	0.978	G12	RB	$\alpha_{EB} = -0.600709 \times \ln(x+40) + 3.488820$	2.106	1.689	1.446	1.000	0.856	LRB	$\alpha_{EB} = -0.082449 \times \ln(x+40) + 1.341574$	1.152	1.095	1.061	1.000	0.980	HDR	$\alpha_{EB} = -0.104908 \times \ln(x+40) + 1.434648$	1.193	1.120	1.078	1.000	0.975	<table border="1"> <thead> <tr> <th rowspan="2">特性</th> <th rowspan="2">剛性</th> <th rowspan="2">支承種類</th> <th rowspan="2">関係式 (対数式)</th> <th colspan="5">支承温度 (°C)</th> </tr> <tr> <th>-30</th> <th>-20</th> <th>-10</th> <th>+23</th> <th>+40</th> </tr> </thead> <tbody> <tr> <td rowspan="3">等価減衰定数比</td> <td rowspan="3">G10</td> <td>RB</td> <td>$\alpha_{EB} = -0.855519 \times \ln(x+40) + 4.544529$</td> <td>2.575</td> <td>1.982</td> <td>1.635</td> <td>1.000</td> <td>0.796</td> </tr> <tr> <td>LRB</td> <td>$\alpha_{EB} = -0.085155 \times \ln(x+40) + 1.352810$</td> <td>1.157</td> <td>1.098</td> <td>1.063</td> <td>1.000</td> <td>0.980</td> </tr> <tr> <td>HDR</td> <td>$\alpha_{EB} = -0.120606 \times \ln(x+40) + 1.499685$</td> <td>1.222</td> <td>1.138</td> <td>1.089</td> <td>1.000</td> <td>0.971</td> </tr> <tr> <td rowspan="3">G12</td> <td>RB</td> <td>$\alpha_{EB} = -0.717967 \times \ln(x+40) + 3.974632$</td> <td>2.321</td> <td>1.824</td> <td>1.533</td> <td>1.000</td> <td>0.828</td> </tr> <tr> <td>LRB</td> <td>$\alpha_{EB} = -0.089375 \times \ln(x+40) + 1.370293$</td> <td>1.164</td> <td>1.103</td> <td>1.066</td> <td>1.000</td> <td>0.979</td> </tr> <tr> <td>HDR</td> <td>$\alpha_{EB} = -0.156744 \times \ln(x+40) + 1.649410$</td> <td>1.288</td> <td>1.180</td> <td>1.116</td> <td>1.000</td> <td>0.963</td> </tr> </tbody> </table>	特性	剛性	支承種類	関係式 (対数式)	支承温度 (°C)					-30	-20	-10	+23	+40	等価減衰定数比	G10	RB	$\alpha_{EB} = -0.855519 \times \ln(x+40) + 4.544529$	2.575	1.982	1.635	1.000	0.796	LRB	$\alpha_{EB} = -0.085155 \times \ln(x+40) + 1.352810$	1.157	1.098	1.063	1.000	0.980	HDR	$\alpha_{EB} = -0.120606 \times \ln(x+40) + 1.499685$	1.222	1.138	1.089	1.000	0.971	G12	RB	$\alpha_{EB} = -0.717967 \times \ln(x+40) + 3.974632$	2.321	1.824	1.533	1.000	0.828	LRB	$\alpha_{EB} = -0.089375 \times \ln(x+40) + 1.370293$	1.164	1.103	1.066	1.000	0.979	HDR	$\alpha_{EB} = -0.156744 \times \ln(x+40) + 1.649410$	1.288	1.180	1.116	1.000	0.963		
特性	剛性					支承種類	関係式 (対数式)	支承温度 (°C)																																																																																																																		
		-30	-20	-10	+23			+40																																																																																																																		
等価減衰定数比	G10	RB	$\alpha_{EB} = -0.731701 \times \ln(x+40) + 4.031535$	2.347	1.840	1.543	1.000	0.825																																																																																																																		
		LRB	$\alpha_{EB} = -0.121779 \times \ln(x+40) + 1.504504$	1.224	1.140	1.090	1.000	0.971																																																																																																																		
		HDR	$\alpha_{EB} = -0.092041 \times \ln(x+40) + 1.381339$	1.169	1.106	1.068	1.000	0.978																																																																																																																		
G12	RB	$\alpha_{EB} = -0.600709 \times \ln(x+40) + 3.488820$	2.106	1.689	1.446	1.000	0.856																																																																																																																			
	LRB	$\alpha_{EB} = -0.082449 \times \ln(x+40) + 1.341574$	1.152	1.095	1.061	1.000	0.980																																																																																																																			
	HDR	$\alpha_{EB} = -0.104908 \times \ln(x+40) + 1.434648$	1.193	1.120	1.078	1.000	0.975																																																																																																																			
特性	剛性	支承種類	関係式 (対数式)	支承温度 (°C)																																																																																																																						
				-30	-20	-10	+23	+40																																																																																																																		
等価減衰定数比	G10	RB	$\alpha_{EB} = -0.855519 \times \ln(x+40) + 4.544529$	2.575	1.982	1.635	1.000	0.796																																																																																																																		
		LRB	$\alpha_{EB} = -0.085155 \times \ln(x+40) + 1.352810$	1.157	1.098	1.063	1.000	0.980																																																																																																																		
		HDR	$\alpha_{EB} = -0.120606 \times \ln(x+40) + 1.499685$	1.222	1.138	1.089	1.000	0.971																																																																																																																		
G12	RB	$\alpha_{EB} = -0.717967 \times \ln(x+40) + 3.974632$	2.321	1.824	1.533	1.000	0.828																																																																																																																			
	LRB	$\alpha_{EB} = -0.089375 \times \ln(x+40) + 1.370293$	1.164	1.103	1.066	1.000	0.979																																																																																																																			
	HDR	$\alpha_{EB} = -0.156744 \times \ln(x+40) + 1.649410$	1.288	1.180	1.116	1.000	0.963																																																																																																																			

ページ など	誤	正	備考	摘要																																																																																																																						
P6-9 表-解 6.2.4	<p>パラメータを下限値で記載していたので中央値へ戻す</p> <table border="1"> <thead> <tr> <th rowspan="2">特性</th> <th rowspan="2">剛性</th> <th rowspan="2">支承種類</th> <th rowspan="2">関係式 (対数式)</th> <th colspan="5">支承温度 (°C)</th> </tr> <tr> <th>-30</th> <th>-20</th> <th>-10</th> <th>+23</th> <th>+40</th> </tr> </thead> <tbody> <tr> <td rowspan="6">二次剛性比</td> <td rowspan="3">G10</td> <td>RB</td> <td>$\alpha_{RZ} = -0.23401 \times \ln(x+40) + 1.969533$</td> <td>1.431</td> <td>1.269</td> <td>1.174</td> <td>1.000</td> <td>0.944</td> </tr> <tr> <td>LRB</td> <td>$\alpha_{RZ} = -0.184195 \times \ln(x+40) + 1.763041$</td> <td>1.339</td> <td>1.211</td> <td>1.137</td> <td>1.000</td> <td>0.956</td> </tr> <tr> <td>HDR</td> <td>$\alpha_{RZ} = -0.57839 \times \ln(x+40) + 3.396349$</td> <td>2.065</td> <td>1.664</td> <td>1.429</td> <td>1.000</td> <td>0.862</td> </tr> <tr> <td rowspan="3">G12</td> <td>RB</td> <td>$\alpha_{RZ} = -0.234815 \times \ln(x+40) + 1.972872$</td> <td>1.432</td> <td>1.269</td> <td>1.174</td> <td>1.000</td> <td>0.944</td> </tr> <tr> <td>LRB</td> <td>$\alpha_{RZ} = -0.273192 \times \ln(x+40) + 2.131678$</td> <td>1.503</td> <td>1.313</td> <td>1.202</td> <td>1.000</td> <td>0.935</td> </tr> <tr> <td>HDR</td> <td>$\alpha_{RZ} = -0.613154 \times \ln(x+40) + 3.540379$</td> <td>2.129</td> <td>1.704</td> <td>1.455</td> <td>1.000</td> <td>0.854</td> </tr> </tbody> </table>	特性	剛性	支承種類	関係式 (対数式)	支承温度 (°C)					-30	-20	-10	+23	+40	二次剛性比	G10	RB	$\alpha_{RZ} = -0.23401 \times \ln(x+40) + 1.969533$	1.431	1.269	1.174	1.000	0.944	LRB	$\alpha_{RZ} = -0.184195 \times \ln(x+40) + 1.763041$	1.339	1.211	1.137	1.000	0.956	HDR	$\alpha_{RZ} = -0.57839 \times \ln(x+40) + 3.396349$	2.065	1.664	1.429	1.000	0.862	G12	RB	$\alpha_{RZ} = -0.234815 \times \ln(x+40) + 1.972872$	1.432	1.269	1.174	1.000	0.944	LRB	$\alpha_{RZ} = -0.273192 \times \ln(x+40) + 2.131678$	1.503	1.313	1.202	1.000	0.935	HDR	$\alpha_{RZ} = -0.613154 \times \ln(x+40) + 3.540379$	2.129	1.704	1.455	1.000	0.854	<table border="1"> <thead> <tr> <th rowspan="2">特性</th> <th rowspan="2">剛性</th> <th rowspan="2">支承種類</th> <th rowspan="2">関係式 (対数式)</th> <th colspan="5">支承温度 (°C)</th> </tr> <tr> <th>-30</th> <th>-20</th> <th>-10</th> <th>+23</th> <th>+40</th> </tr> </thead> <tbody> <tr> <td rowspan="6">二次剛性比</td> <td rowspan="3">G10</td> <td>RB</td> <td>$\alpha_{RZ} = -0.151533 \times \ln(x+40) + 1.627823$</td> <td>1.279</td> <td>1.174</td> <td>1.112</td> <td>1.000</td> <td>0.964</td> </tr> <tr> <td>LRB</td> <td>$\alpha_{RZ} = -0.206459 \times \ln(x+40) + 1.855388$</td> <td>1.380</td> <td>1.237</td> <td>1.153</td> <td>1.000</td> <td>0.951</td> </tr> <tr> <td>HDR</td> <td>$\alpha_{RZ} = -0.510632 \times \ln(x+40) + 3.115615$</td> <td>1.940</td> <td>1.586</td> <td>1.379</td> <td>1.000</td> <td>0.878</td> </tr> <tr> <td rowspan="3">G12</td> <td>RB</td> <td>$\alpha_{RZ} = -0.179342 \times \ln(x+40) + 1.743039$</td> <td>1.330</td> <td>1.206</td> <td>1.133</td> <td>1.000</td> <td>0.957</td> </tr> <tr> <td>LRB</td> <td>$\alpha_{RZ} = -0.225236 \times \ln(x+40) + 1.933185$</td> <td>1.415</td> <td>1.258</td> <td>1.167</td> <td>1.000</td> <td>0.946</td> </tr> <tr> <td>HDR</td> <td>$\alpha_{RZ} = -0.503246 \times \ln(x+40) + 3.085015$</td> <td>1.926</td> <td>1.577</td> <td>1.373</td> <td>1.000</td> <td>0.880</td> </tr> </tbody> </table>	特性	剛性	支承種類	関係式 (対数式)	支承温度 (°C)					-30	-20	-10	+23	+40	二次剛性比	G10	RB	$\alpha_{RZ} = -0.151533 \times \ln(x+40) + 1.627823$	1.279	1.174	1.112	1.000	0.964	LRB	$\alpha_{RZ} = -0.206459 \times \ln(x+40) + 1.855388$	1.380	1.237	1.153	1.000	0.951	HDR	$\alpha_{RZ} = -0.510632 \times \ln(x+40) + 3.115615$	1.940	1.586	1.379	1.000	0.878	G12	RB	$\alpha_{RZ} = -0.179342 \times \ln(x+40) + 1.743039$	1.330	1.206	1.133	1.000	0.957	LRB	$\alpha_{RZ} = -0.225236 \times \ln(x+40) + 1.933185$	1.415	1.258	1.167	1.000	0.946	HDR	$\alpha_{RZ} = -0.503246 \times \ln(x+40) + 3.085015$	1.926	1.577	1.373	1.000	0.880		
特性	剛性					支承種類	関係式 (対数式)	支承温度 (°C)																																																																																																																		
		-30	-20	-10	+23			+40																																																																																																																		
二次剛性比	G10	RB	$\alpha_{RZ} = -0.23401 \times \ln(x+40) + 1.969533$	1.431	1.269	1.174	1.000	0.944																																																																																																																		
		LRB	$\alpha_{RZ} = -0.184195 \times \ln(x+40) + 1.763041$	1.339	1.211	1.137	1.000	0.956																																																																																																																		
		HDR	$\alpha_{RZ} = -0.57839 \times \ln(x+40) + 3.396349$	2.065	1.664	1.429	1.000	0.862																																																																																																																		
	G12	RB	$\alpha_{RZ} = -0.234815 \times \ln(x+40) + 1.972872$	1.432	1.269	1.174	1.000	0.944																																																																																																																		
		LRB	$\alpha_{RZ} = -0.273192 \times \ln(x+40) + 2.131678$	1.503	1.313	1.202	1.000	0.935																																																																																																																		
		HDR	$\alpha_{RZ} = -0.613154 \times \ln(x+40) + 3.540379$	2.129	1.704	1.455	1.000	0.854																																																																																																																		
特性	剛性	支承種類	関係式 (対数式)	支承温度 (°C)																																																																																																																						
				-30	-20	-10	+23	+40																																																																																																																		
二次剛性比	G10	RB	$\alpha_{RZ} = -0.151533 \times \ln(x+40) + 1.627823$	1.279	1.174	1.112	1.000	0.964																																																																																																																		
		LRB	$\alpha_{RZ} = -0.206459 \times \ln(x+40) + 1.855388$	1.380	1.237	1.153	1.000	0.951																																																																																																																		
		HDR	$\alpha_{RZ} = -0.510632 \times \ln(x+40) + 3.115615$	1.940	1.586	1.379	1.000	0.878																																																																																																																		
	G12	RB	$\alpha_{RZ} = -0.179342 \times \ln(x+40) + 1.743039$	1.330	1.206	1.133	1.000	0.957																																																																																																																		
		LRB	$\alpha_{RZ} = -0.225236 \times \ln(x+40) + 1.933185$	1.415	1.258	1.167	1.000	0.946																																																																																																																		
		HDR	$\alpha_{RZ} = -0.503246 \times \ln(x+40) + 3.085015$	1.926	1.577	1.373	1.000	0.880																																																																																																																		
P6-10 表-解 6.2.5	<p>パラメータを下限値で記載していたので中央値へ戻す</p> <table border="1"> <thead> <tr> <th rowspan="2">特性</th> <th rowspan="2">剛性</th> <th rowspan="2">支承種類</th> <th rowspan="2">関係式 (対数式)</th> <th colspan="5">支承温度 (°C)</th> </tr> <tr> <th>-30</th> <th>-20</th> <th>-10</th> <th>+23</th> <th>+40</th> </tr> </thead> <tbody> <tr> <td rowspan="6">降伏荷重比</td> <td rowspan="3">G10</td> <td>RB</td> <td>$\alpha_{0Z} = -1.349462 \times \ln(x+40) + 6.591003$</td> <td>3.484</td> <td>2.548</td> <td>2.001</td> <td>1.000</td> <td>0.678</td> </tr> <tr> <td>LRB</td> <td>$\alpha_{0Z} = -0.449908 \times \ln(x+40) + 2.863503$</td> <td>1.828</td> <td>1.516</td> <td>1.333</td> <td>0.999</td> <td>0.892</td> </tr> <tr> <td>HDR</td> <td>$\alpha_{0Z} = -0.622062 \times \ln(x+40) + 3.577287$</td> <td>2.145</td> <td>1.714</td> <td>1.462</td> <td>1.000</td> <td>0.851</td> </tr> <tr> <td rowspan="3">G12</td> <td>RB</td> <td>$\alpha_{0Z} = -0.980715 \times \ln(x+40) + 5.063233$</td> <td>2.805</td> <td>2.125</td> <td>1.728</td> <td>1.000</td> <td>0.766</td> </tr> <tr> <td>LRB</td> <td>$\alpha_{0Z} = -0.467969 \times \ln(x+40) + 2.938300$</td> <td>1.861</td> <td>1.536</td> <td>1.347</td> <td>0.999</td> <td>0.888</td> </tr> <tr> <td>HDR</td> <td>$\alpha_{0Z} = -0.661493 \times \ln(x+40) + 3.740653$</td> <td>2.218</td> <td>1.759</td> <td>1.491</td> <td>1.000</td> <td>0.842</td> </tr> </tbody> </table>	特性	剛性	支承種類	関係式 (対数式)	支承温度 (°C)					-30	-20	-10	+23	+40	降伏荷重比	G10	RB	$\alpha_{0Z} = -1.349462 \times \ln(x+40) + 6.591003$	3.484	2.548	2.001	1.000	0.678	LRB	$\alpha_{0Z} = -0.449908 \times \ln(x+40) + 2.863503$	1.828	1.516	1.333	0.999	0.892	HDR	$\alpha_{0Z} = -0.622062 \times \ln(x+40) + 3.577287$	2.145	1.714	1.462	1.000	0.851	G12	RB	$\alpha_{0Z} = -0.980715 \times \ln(x+40) + 5.063233$	2.805	2.125	1.728	1.000	0.766	LRB	$\alpha_{0Z} = -0.467969 \times \ln(x+40) + 2.938300$	1.861	1.536	1.347	0.999	0.888	HDR	$\alpha_{0Z} = -0.661493 \times \ln(x+40) + 3.740653$	2.218	1.759	1.491	1.000	0.842	<table border="1"> <thead> <tr> <th rowspan="2">特性</th> <th rowspan="2">剛性</th> <th rowspan="2">支承種類</th> <th rowspan="2">関係式 (対数式)</th> <th colspan="5">支承温度 (°C)</th> </tr> <tr> <th>-30</th> <th>-20</th> <th>-10</th> <th>+23</th> <th>+40</th> </tr> </thead> <tbody> <tr> <td rowspan="6">降伏荷重比</td> <td rowspan="3">G10</td> <td>RB</td> <td>$\alpha_{0Z} = -1.357219 \times \ln(x+40) + 6.623140$</td> <td>3.498</td> <td>2.557</td> <td>2.007</td> <td>1.000</td> <td>0.676</td> </tr> <tr> <td>LRB</td> <td>$\alpha_{0Z} = -0.335086 \times \ln(x+40) + 2.388305$</td> <td>1.617</td> <td>1.384</td> <td>1.249</td> <td>1.000</td> <td>0.920</td> </tr> <tr> <td>HDR</td> <td>$\alpha_{0Z} = -0.587744 \times \ln(x+40) + 3.435103$</td> <td>2.082</td> <td>1.674</td> <td>1.436</td> <td>1.000</td> <td>0.860</td> </tr> <tr> <td rowspan="3">G12</td> <td>RB</td> <td>$\alpha_{0Z} = -1.165667 \times \ln(x+40) + 5.829516$</td> <td>3.145</td> <td>2.337</td> <td>1.865</td> <td>1.000</td> <td>0.722</td> </tr> <tr> <td>LRB</td> <td>$\alpha_{0Z} = -0.364841 \times \ln(x+40) + 2.511585$</td> <td>1.672</td> <td>1.419</td> <td>1.271</td> <td>1.000</td> <td>0.913</td> </tr> <tr> <td>HDR</td> <td>$\alpha_{0Z} = -0.664396 \times \ln(x+40) + 3.752682$</td> <td>2.223</td> <td>1.762</td> <td>1.493</td> <td>1.000</td> <td>0.841</td> </tr> </tbody> </table>	特性	剛性	支承種類	関係式 (対数式)	支承温度 (°C)					-30	-20	-10	+23	+40	降伏荷重比	G10	RB	$\alpha_{0Z} = -1.357219 \times \ln(x+40) + 6.623140$	3.498	2.557	2.007	1.000	0.676	LRB	$\alpha_{0Z} = -0.335086 \times \ln(x+40) + 2.388305$	1.617	1.384	1.249	1.000	0.920	HDR	$\alpha_{0Z} = -0.587744 \times \ln(x+40) + 3.435103$	2.082	1.674	1.436	1.000	0.860	G12	RB	$\alpha_{0Z} = -1.165667 \times \ln(x+40) + 5.829516$	3.145	2.337	1.865	1.000	0.722	LRB	$\alpha_{0Z} = -0.364841 \times \ln(x+40) + 2.511585$	1.672	1.419	1.271	1.000	0.913	HDR	$\alpha_{0Z} = -0.664396 \times \ln(x+40) + 3.752682$	2.223	1.762	1.493	1.000	0.841		
特性	剛性					支承種類	関係式 (対数式)	支承温度 (°C)																																																																																																																		
		-30	-20	-10	+23			+40																																																																																																																		
降伏荷重比	G10	RB	$\alpha_{0Z} = -1.349462 \times \ln(x+40) + 6.591003$	3.484	2.548	2.001	1.000	0.678																																																																																																																		
		LRB	$\alpha_{0Z} = -0.449908 \times \ln(x+40) + 2.863503$	1.828	1.516	1.333	0.999	0.892																																																																																																																		
		HDR	$\alpha_{0Z} = -0.622062 \times \ln(x+40) + 3.577287$	2.145	1.714	1.462	1.000	0.851																																																																																																																		
	G12	RB	$\alpha_{0Z} = -0.980715 \times \ln(x+40) + 5.063233$	2.805	2.125	1.728	1.000	0.766																																																																																																																		
		LRB	$\alpha_{0Z} = -0.467969 \times \ln(x+40) + 2.938300$	1.861	1.536	1.347	0.999	0.888																																																																																																																		
		HDR	$\alpha_{0Z} = -0.661493 \times \ln(x+40) + 3.740653$	2.218	1.759	1.491	1.000	0.842																																																																																																																		
特性	剛性	支承種類	関係式 (対数式)	支承温度 (°C)																																																																																																																						
				-30	-20	-10	+23	+40																																																																																																																		
降伏荷重比	G10	RB	$\alpha_{0Z} = -1.357219 \times \ln(x+40) + 6.623140$	3.498	2.557	2.007	1.000	0.676																																																																																																																		
		LRB	$\alpha_{0Z} = -0.335086 \times \ln(x+40) + 2.388305$	1.617	1.384	1.249	1.000	0.920																																																																																																																		
		HDR	$\alpha_{0Z} = -0.587744 \times \ln(x+40) + 3.435103$	2.082	1.674	1.436	1.000	0.860																																																																																																																		
	G12	RB	$\alpha_{0Z} = -1.165667 \times \ln(x+40) + 5.829516$	3.145	2.337	1.865	1.000	0.722																																																																																																																		
		LRB	$\alpha_{0Z} = -0.364841 \times \ln(x+40) + 2.511585$	1.672	1.419	1.271	1.000	0.913																																																																																																																		
		HDR	$\alpha_{0Z} = -0.664396 \times \ln(x+40) + 3.752682$	2.223	1.762	1.493	1.000	0.841																																																																																																																		

ページ など	誤	正	備考	摘要
P6-13 表-解 6.2.8	 <p>供用時</p> <p>支承交換時</p> <p>図-解6.2.8</p>  <p>供用時</p> <p>支承交換時</p> <p>図-解6.2.9</p>	<p>双方の図を訂正し、統一する</p>  <p>図-解6.2.8</p>  <p>図-解6.2.9</p>		

ページ など	誤	正	備考	摘要
P6-45 2行目	「車両用防護柵標準図集・同解説」	「 <u>車両用防護柵標準仕様</u> ・同解説」		
P6-53 6.4.11 解説	1行目 6.4.11に示す標準図以外の橋梁用ビーム型…	<u>各発注機関が示す標準図</u> 以外の橋梁用ビーム型…		